

AesthEdge



WPC WALL PANEL

AesthEdge



+8618953955575



angela@aesthedge.com

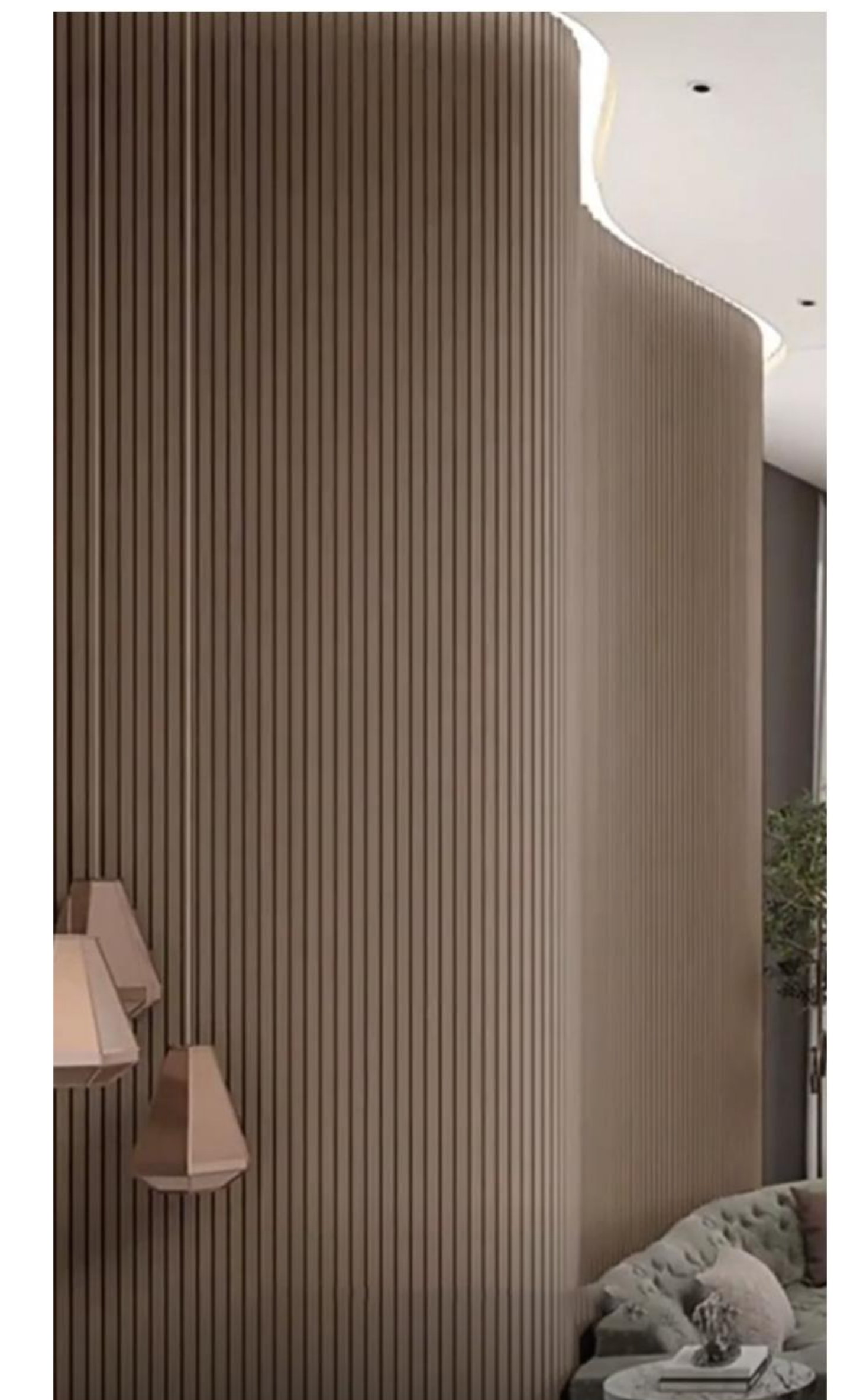


www.aesthedge.com



Rm1103, A10Building,Lushang Center,Guangzhou Road,
Lanshan District,Linyi City,Shandong Province,China

WPC Wall Panel



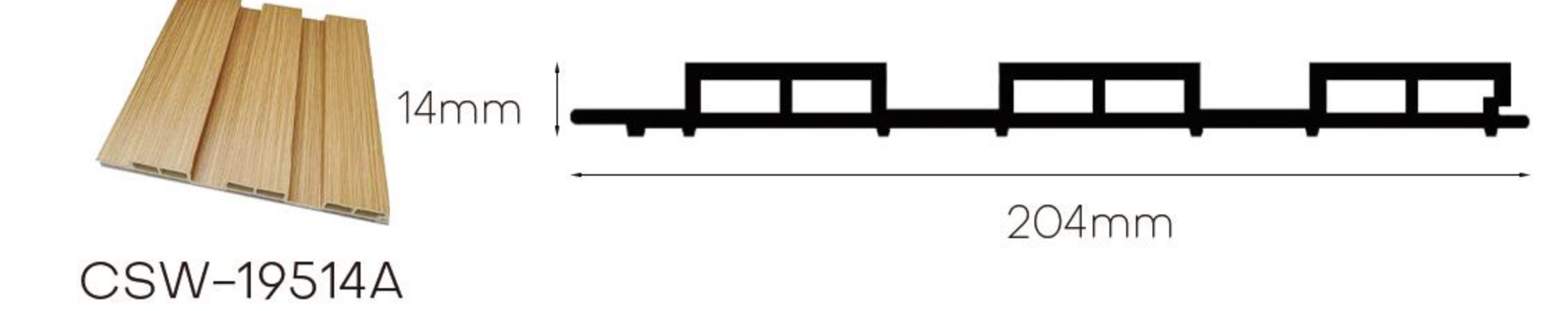
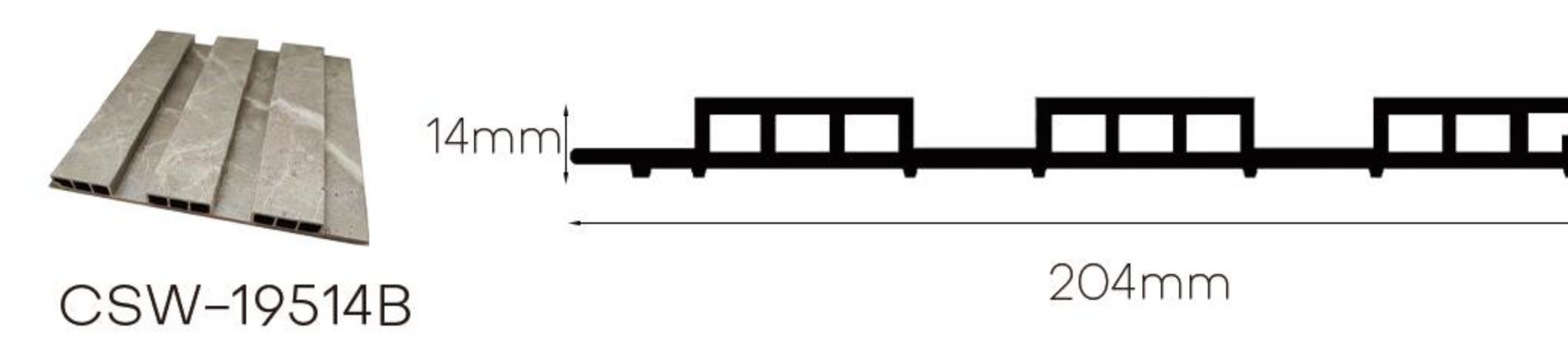
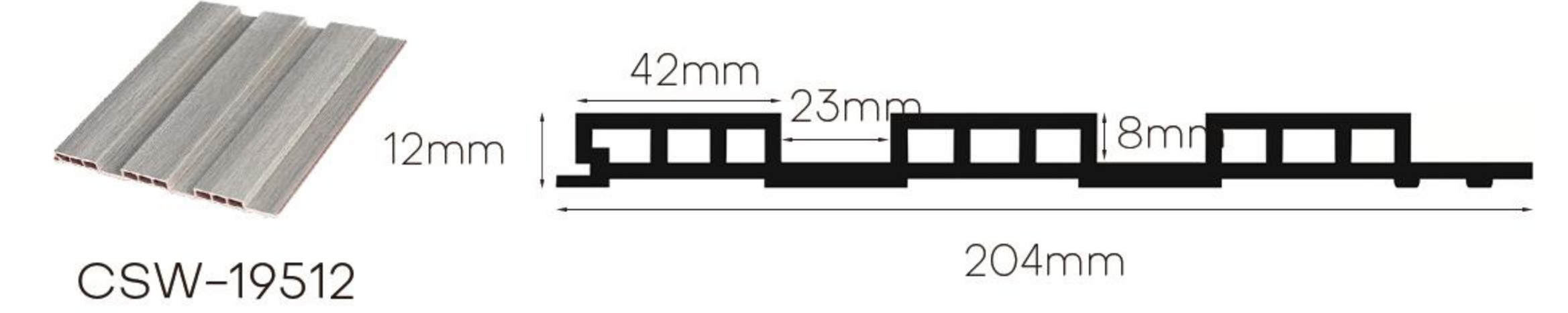
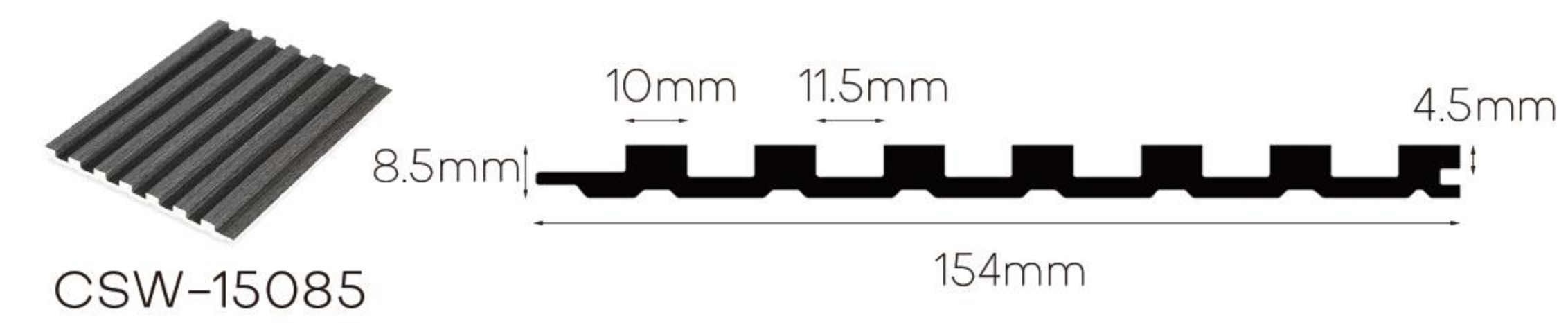
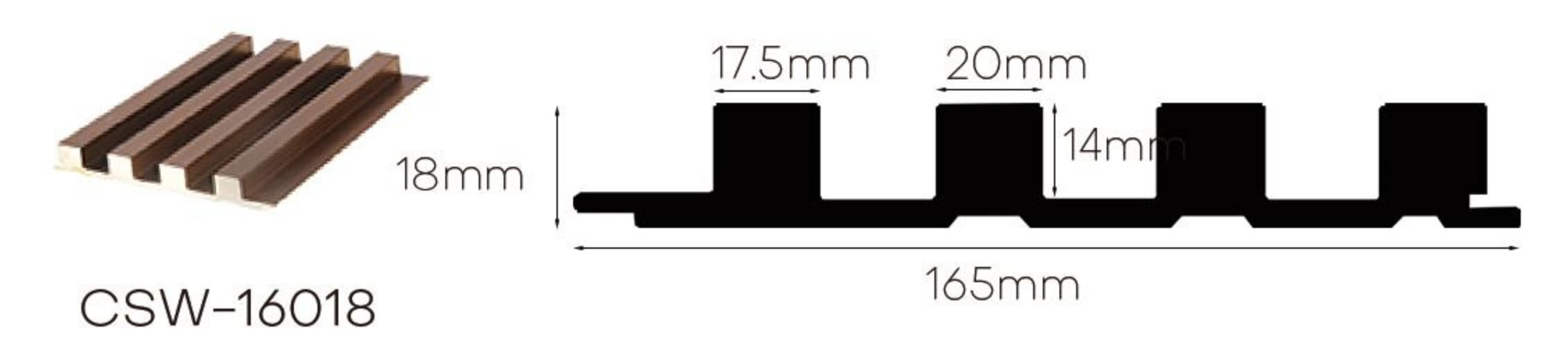
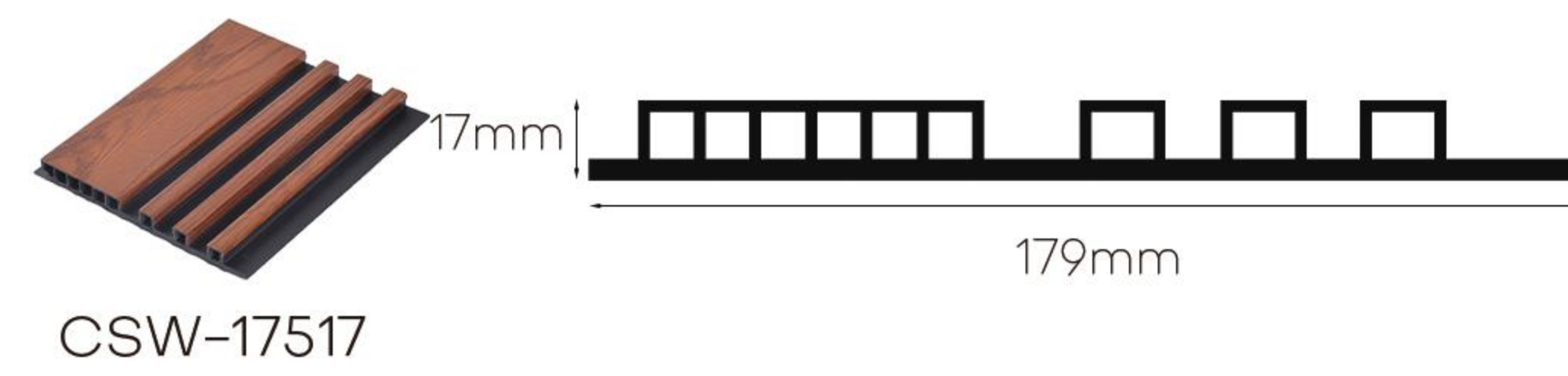
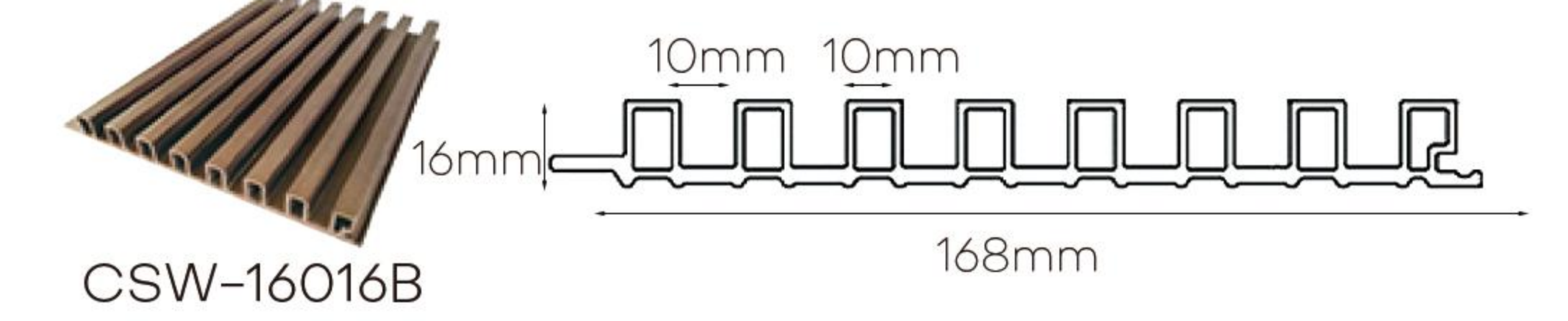
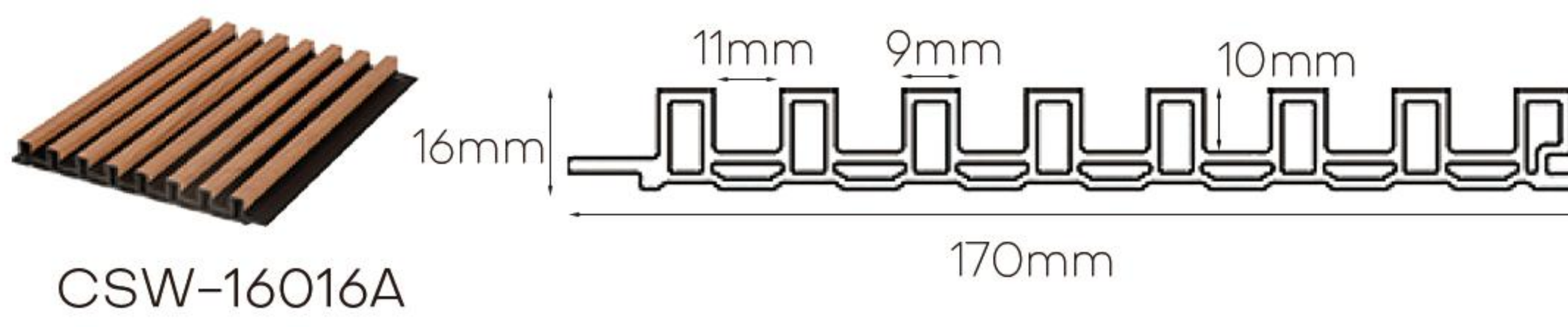
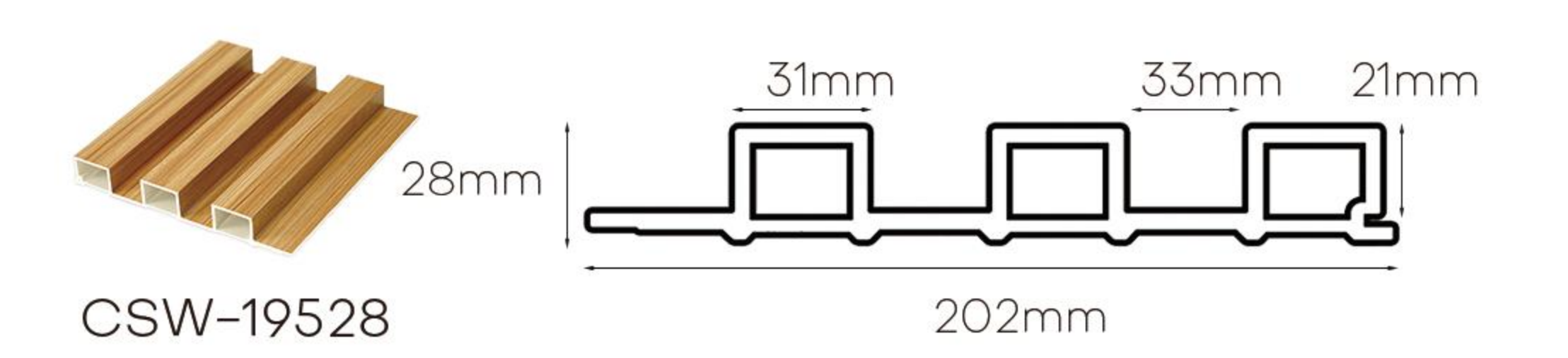
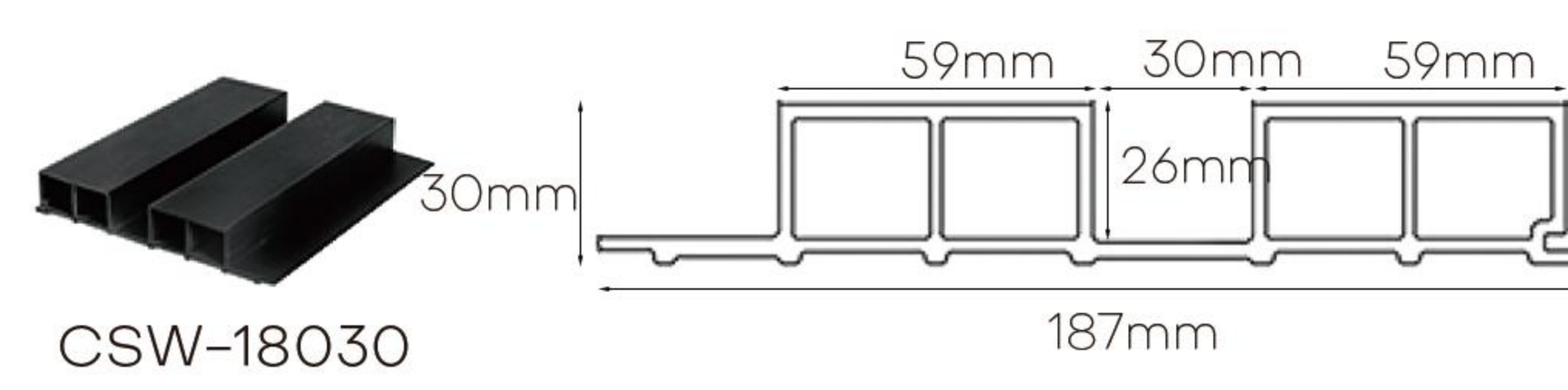
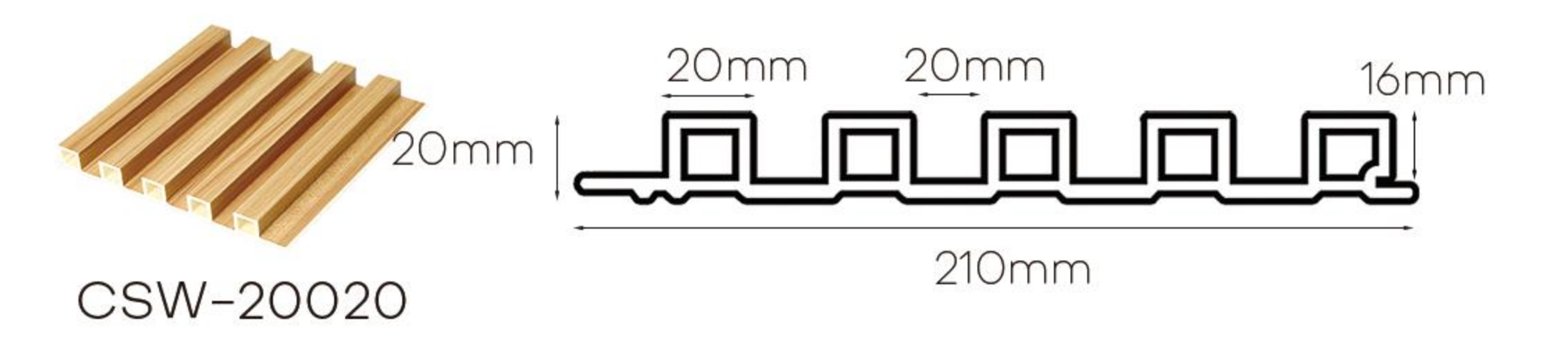
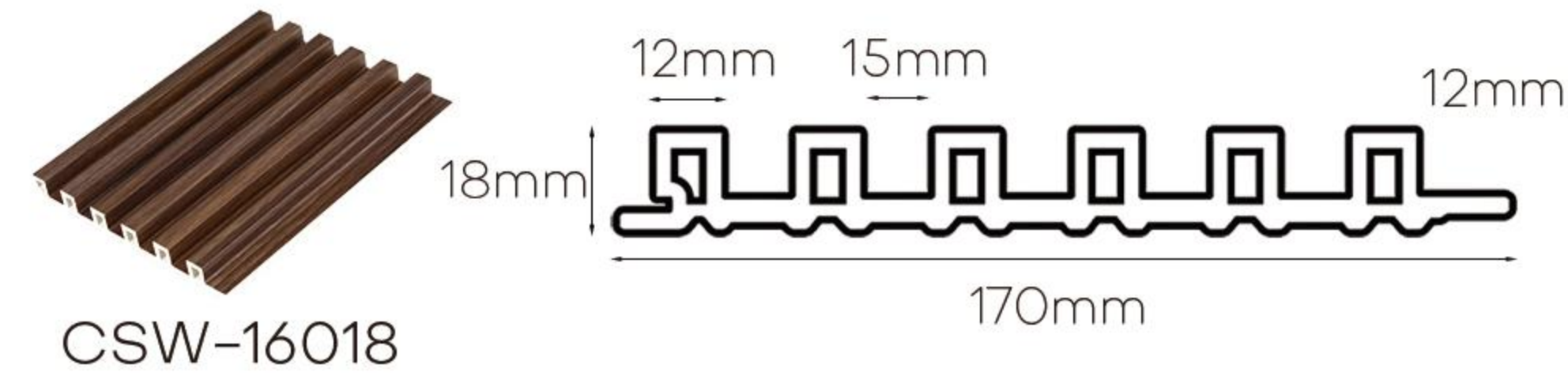
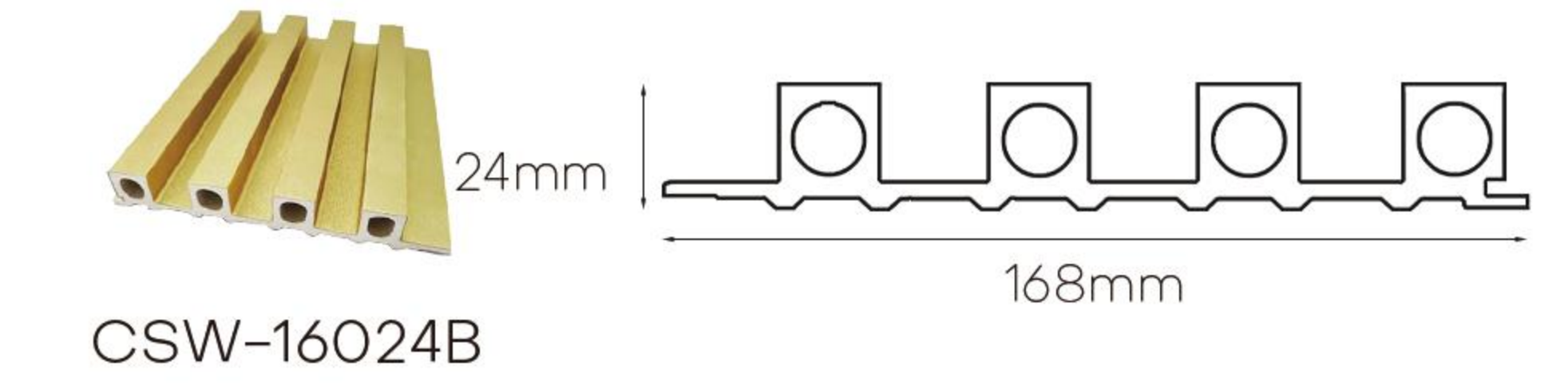
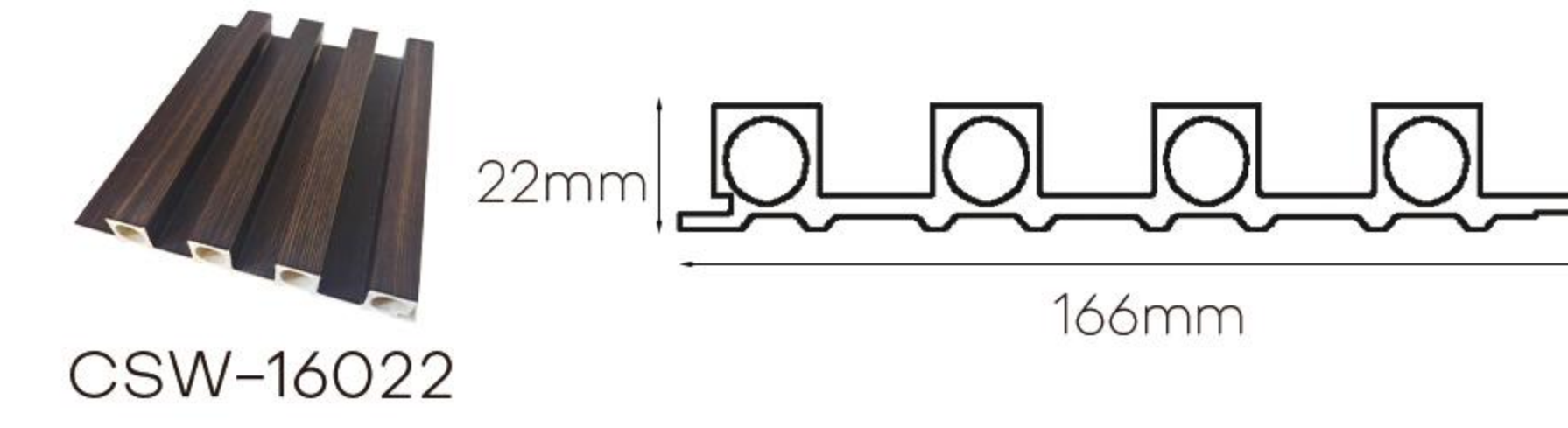
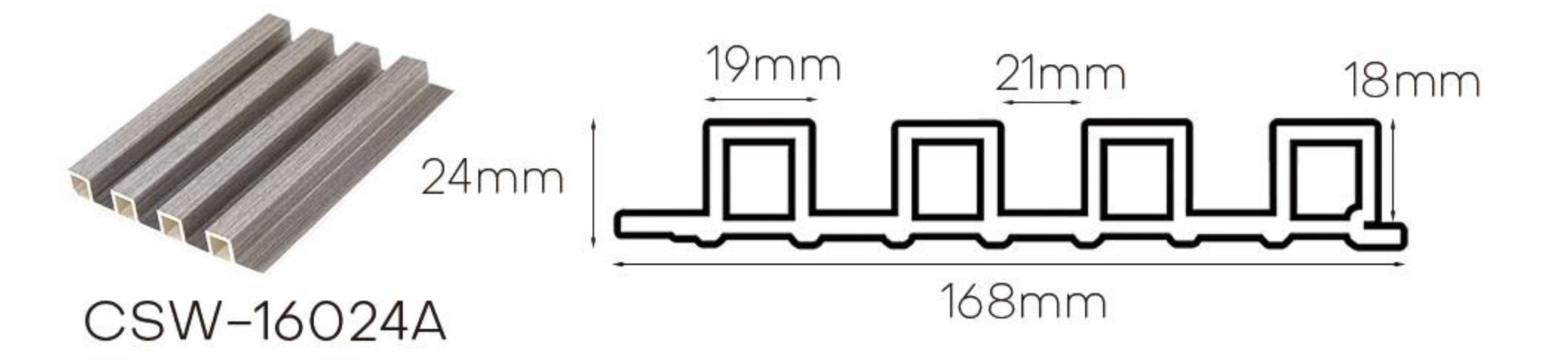
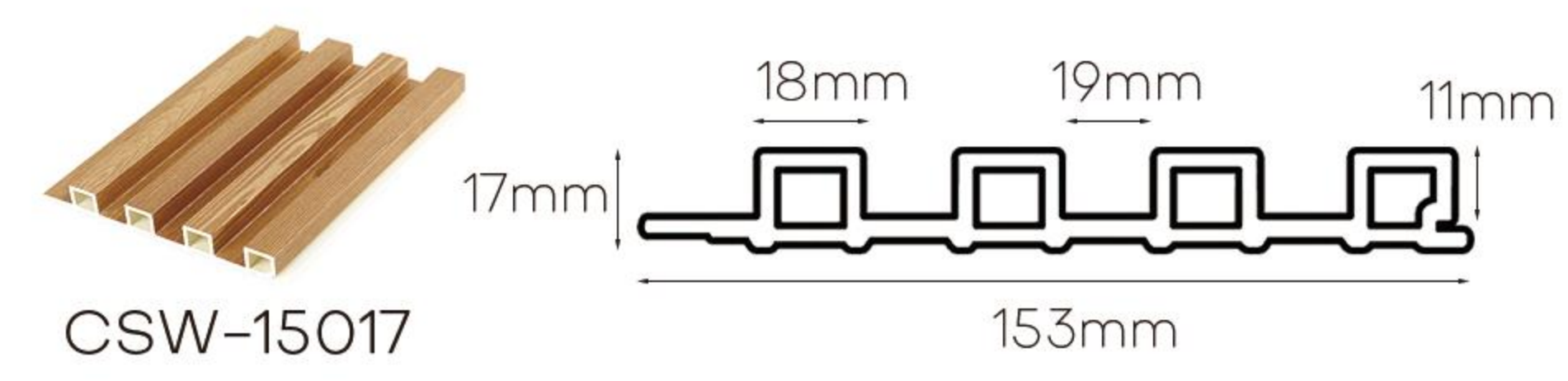
WPC Wall Panel is primarily composed of wood chips and environmentally friendly plastic. Combining the advantages of both wood and plastic. The use of recycled plastic helps protect the planet and reduce plastic pollution, while the use of wood chips increases wood utilization and reduces deforestation. Promoting WPC Wall Panel extensively plays a positive role in protecting the environment we.

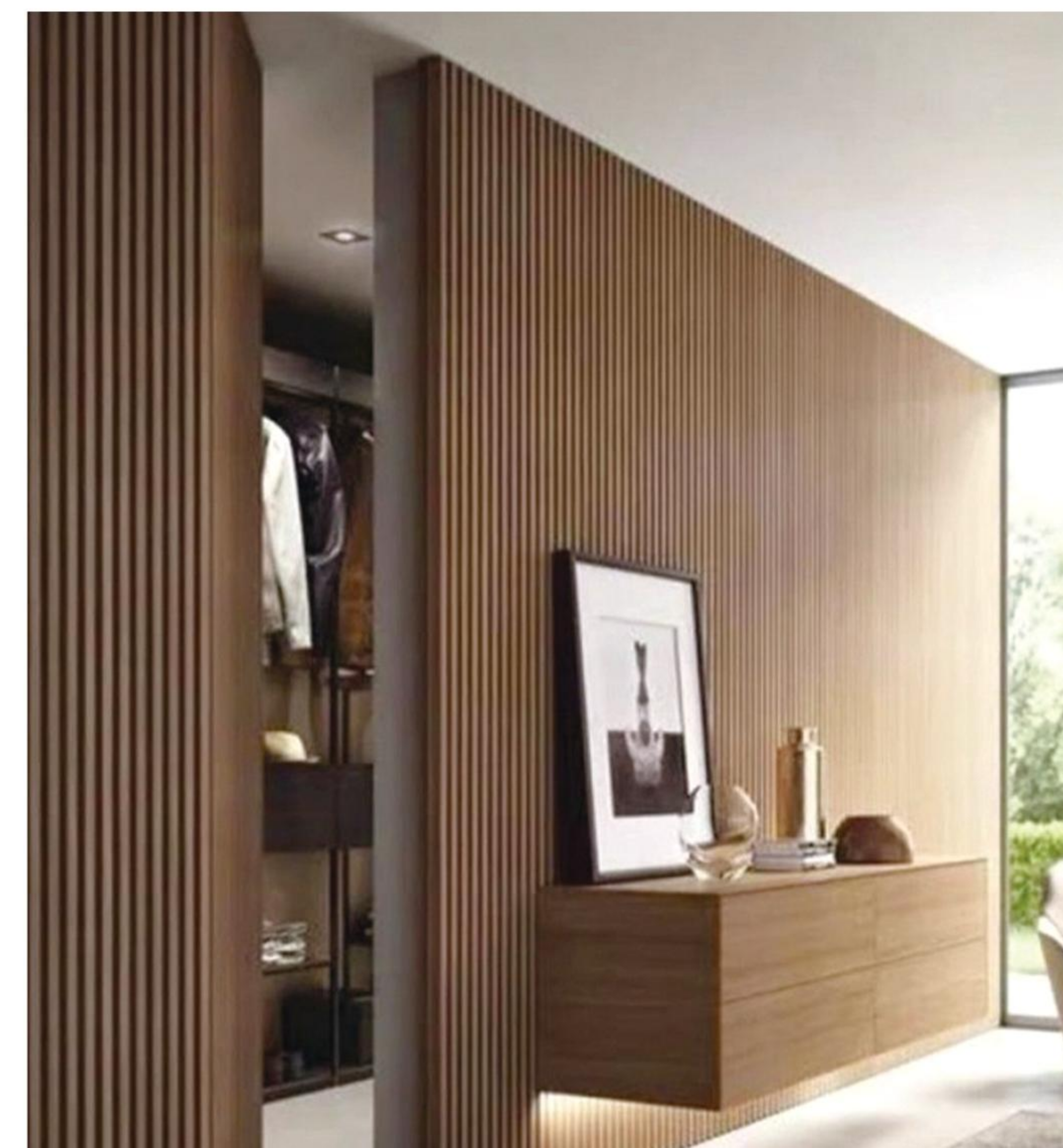
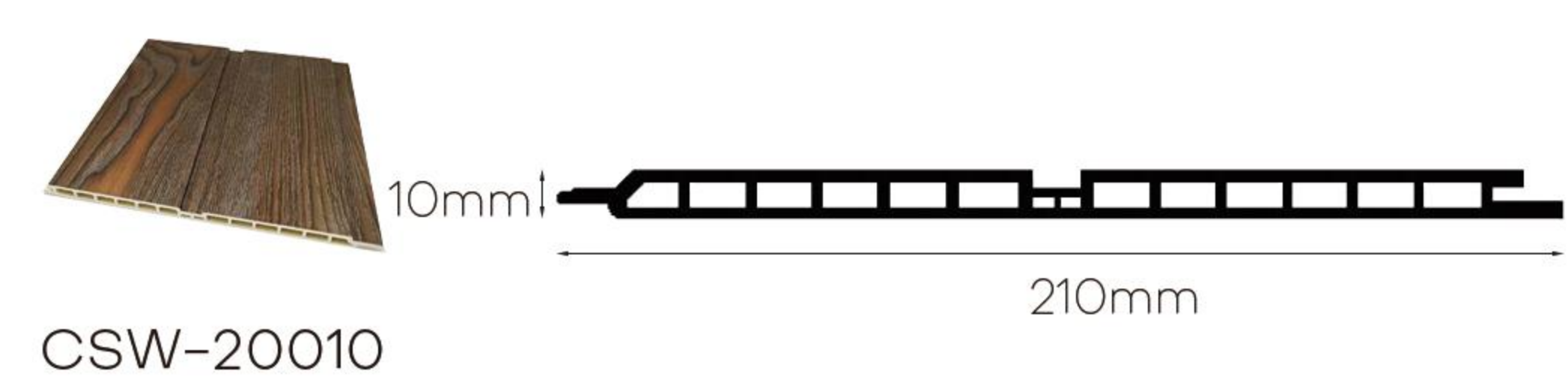
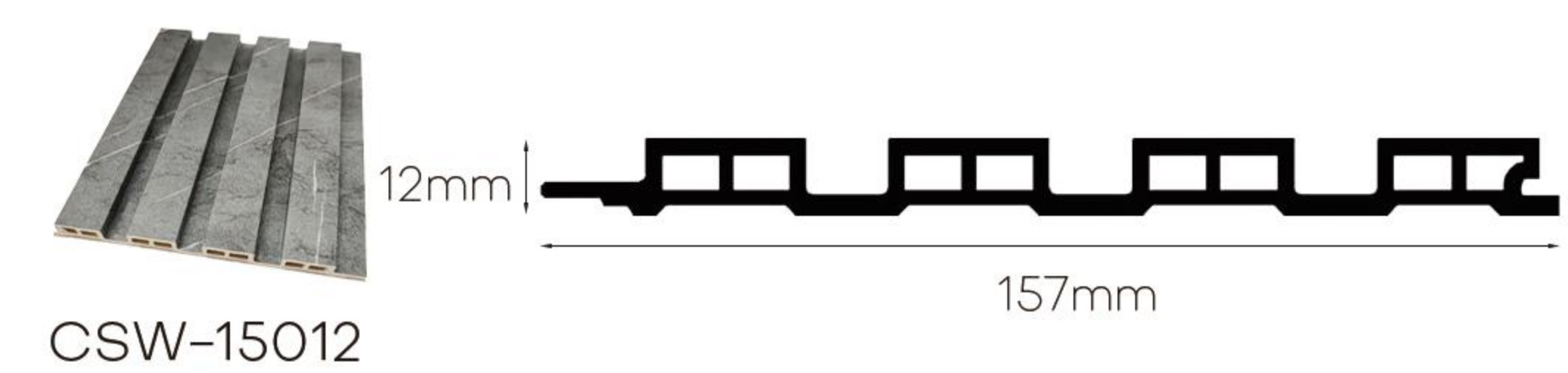
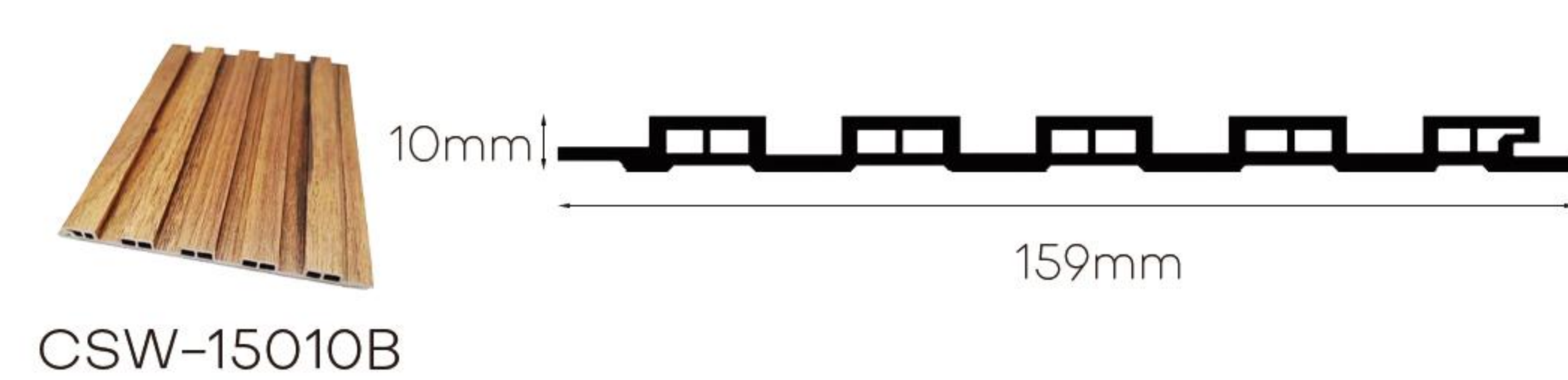
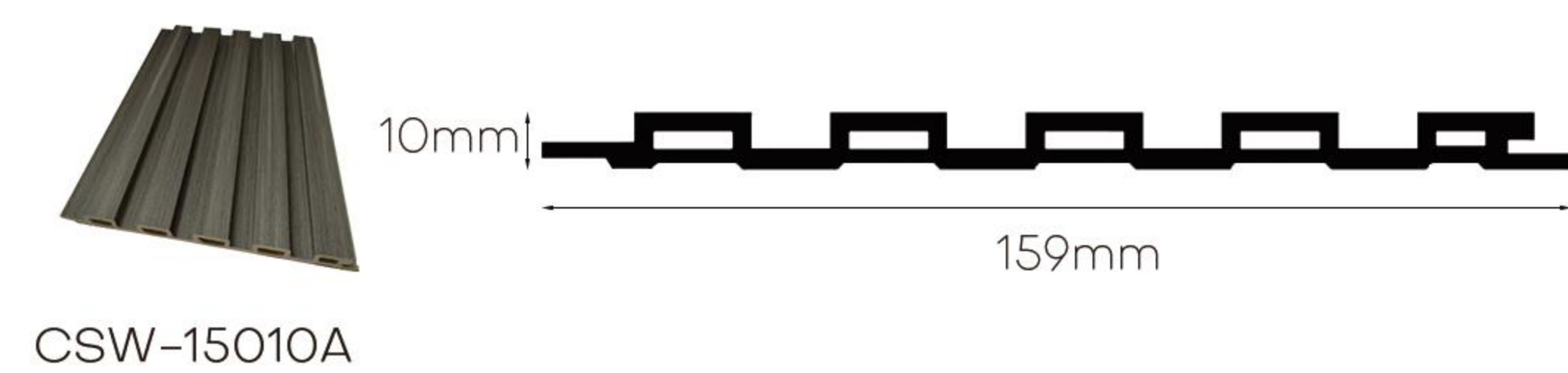
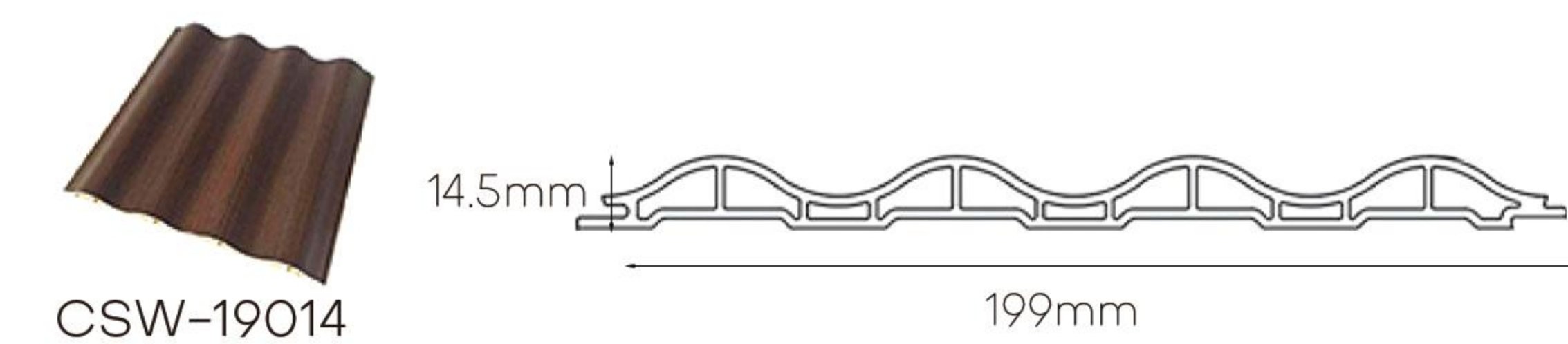
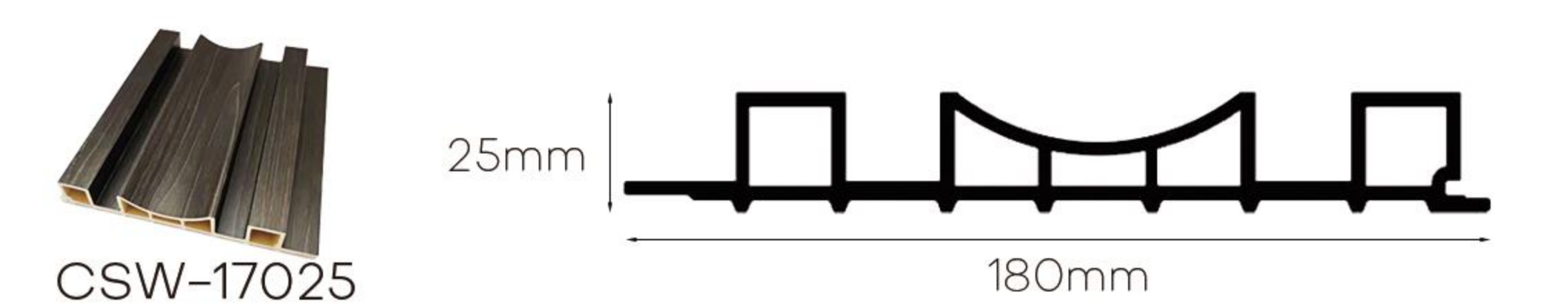
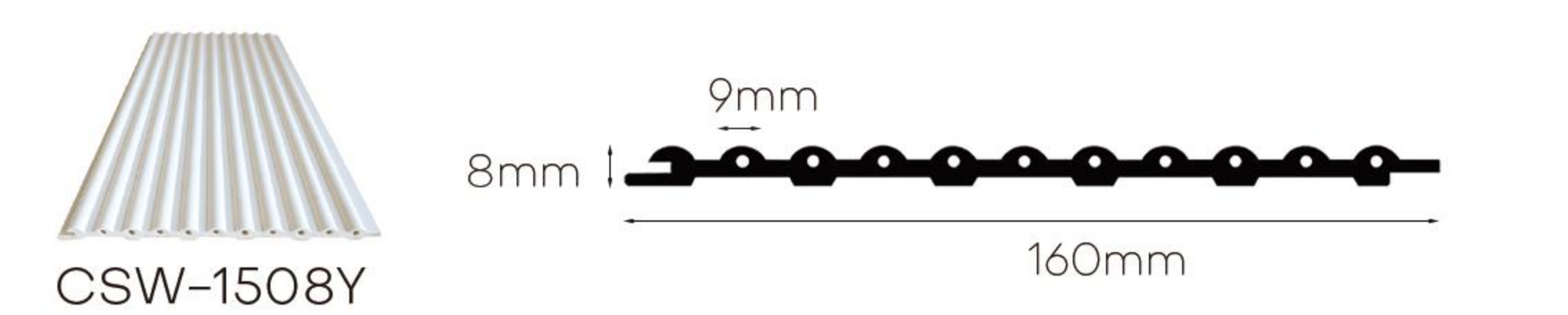
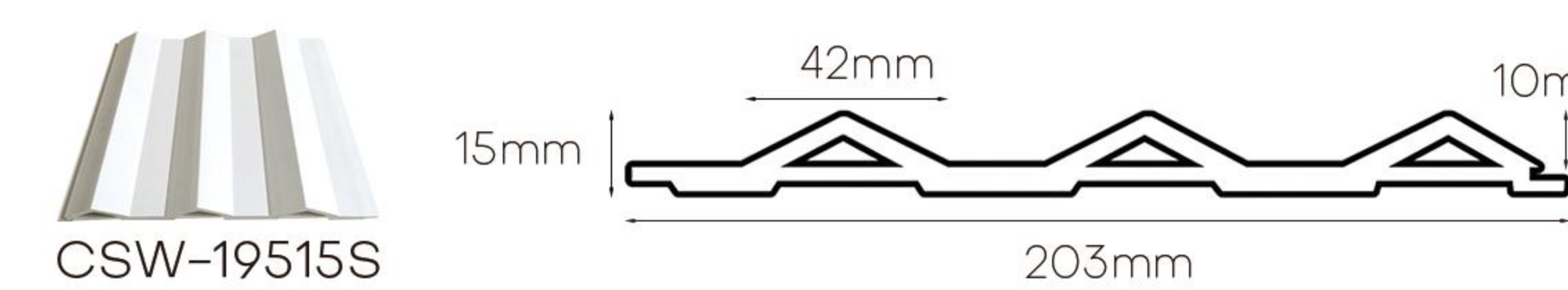
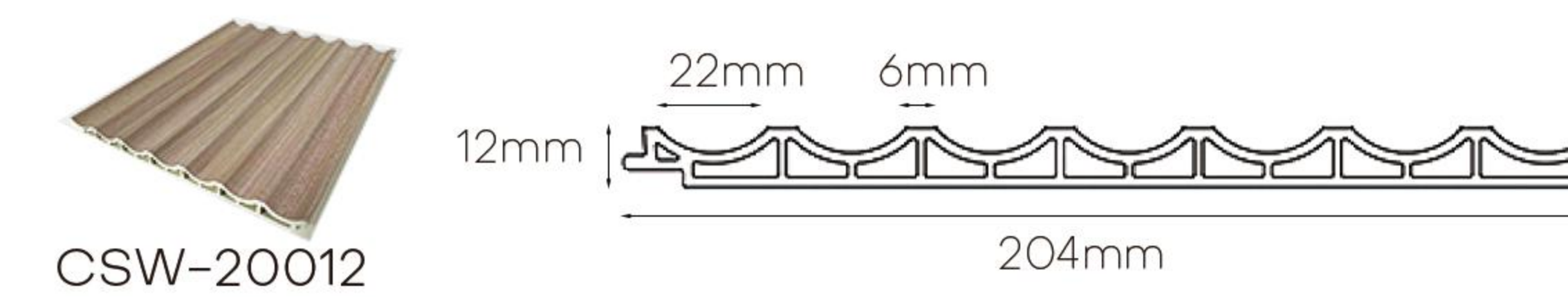
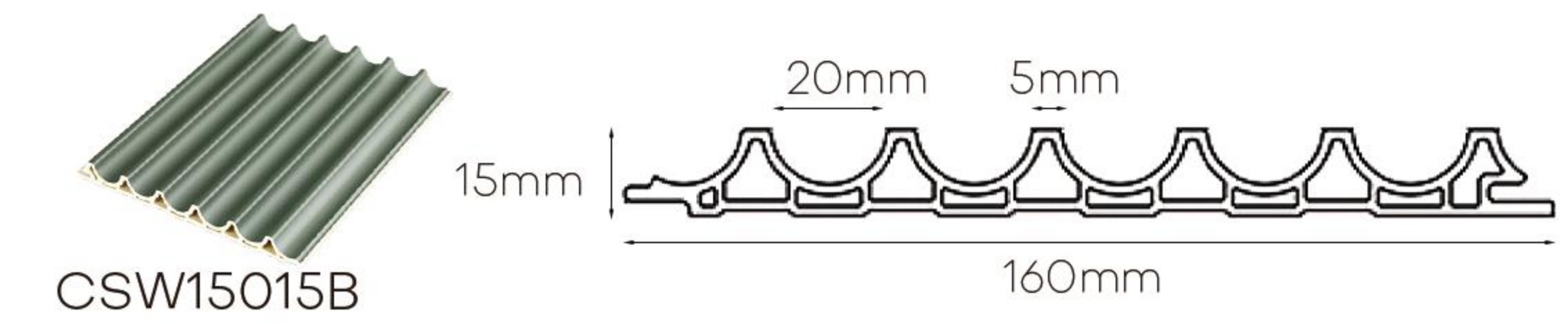
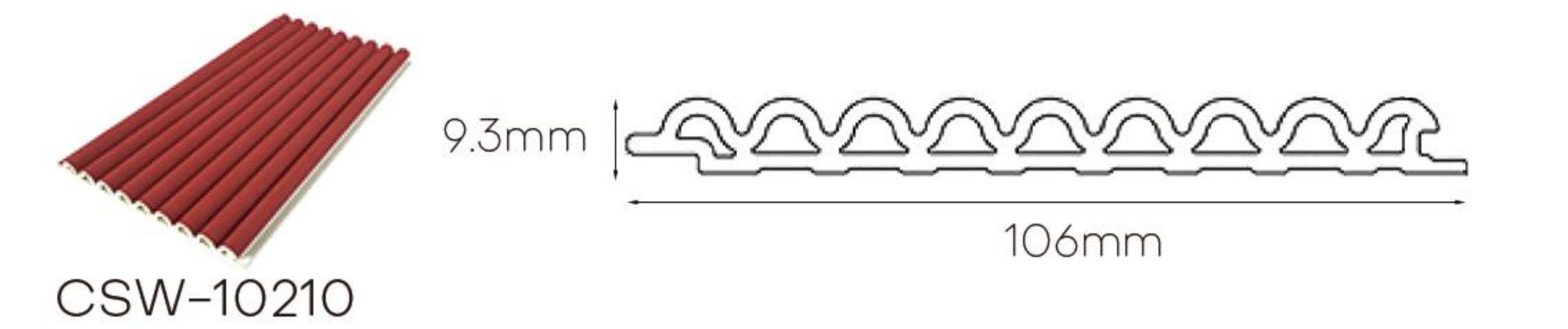
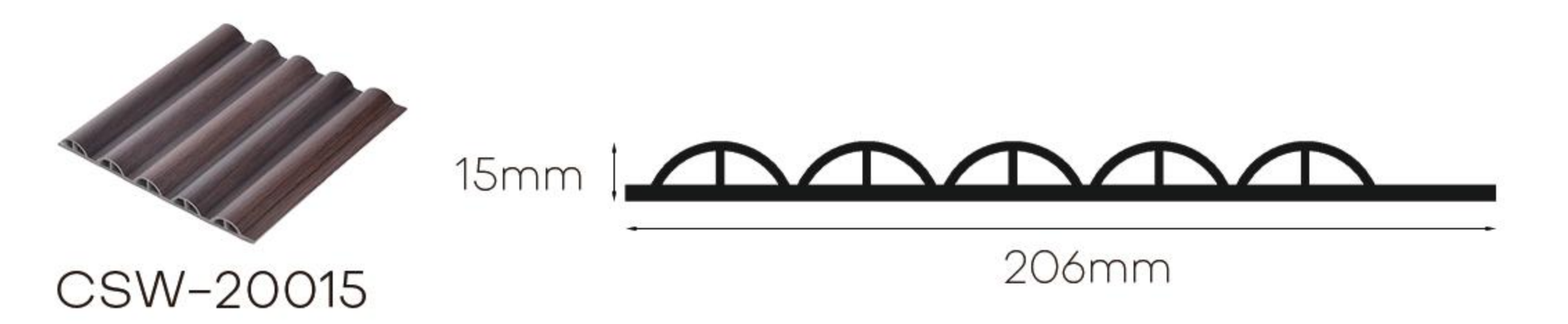
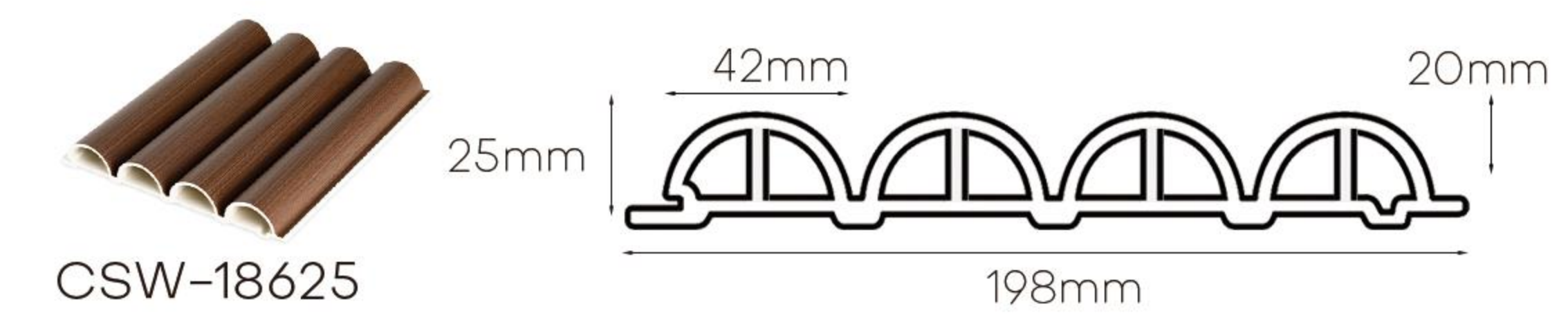
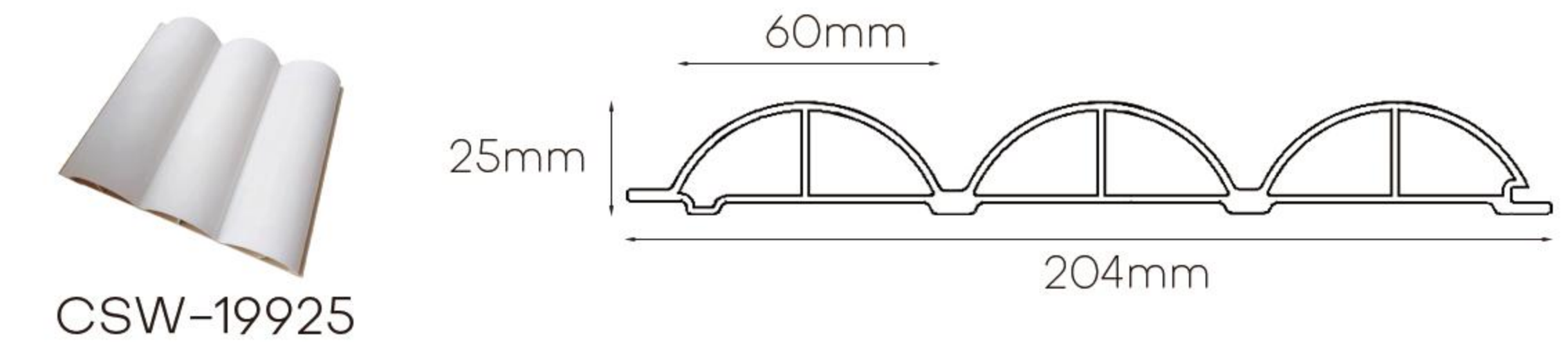
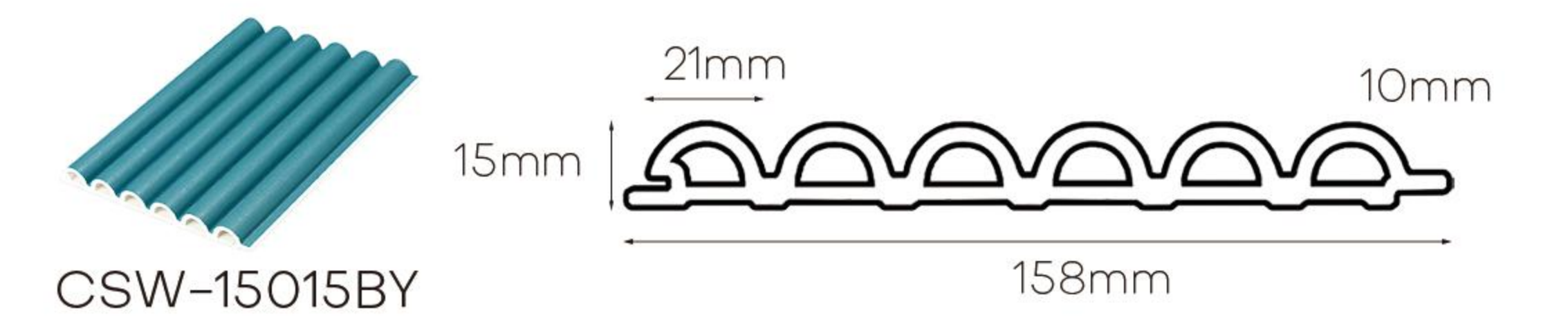


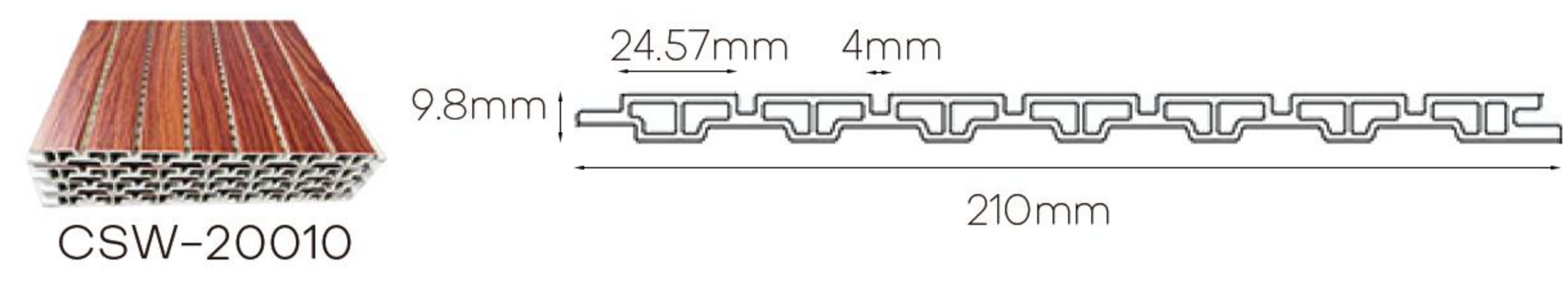
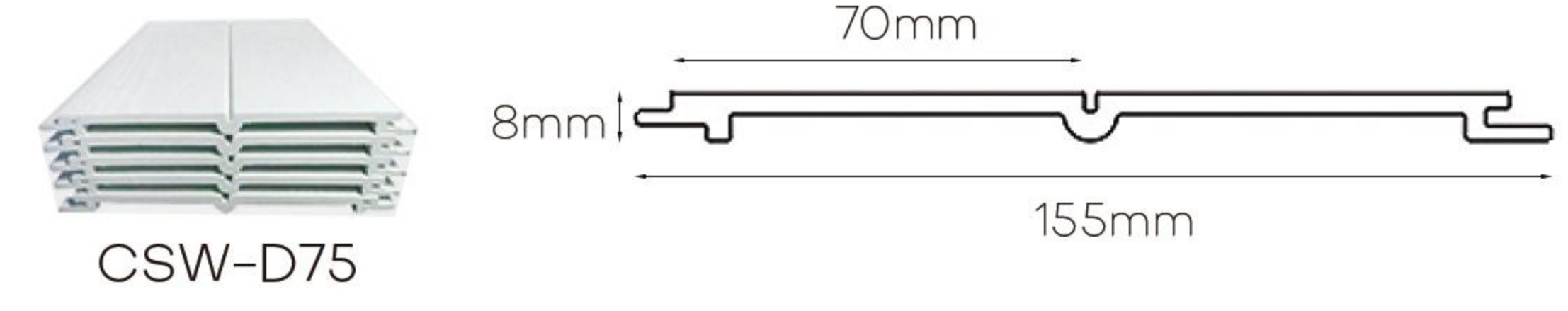
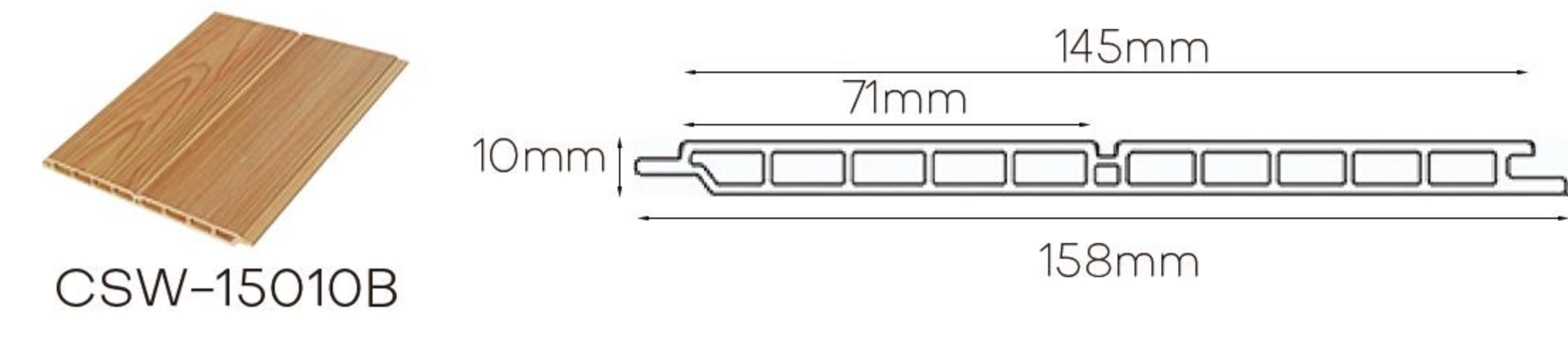
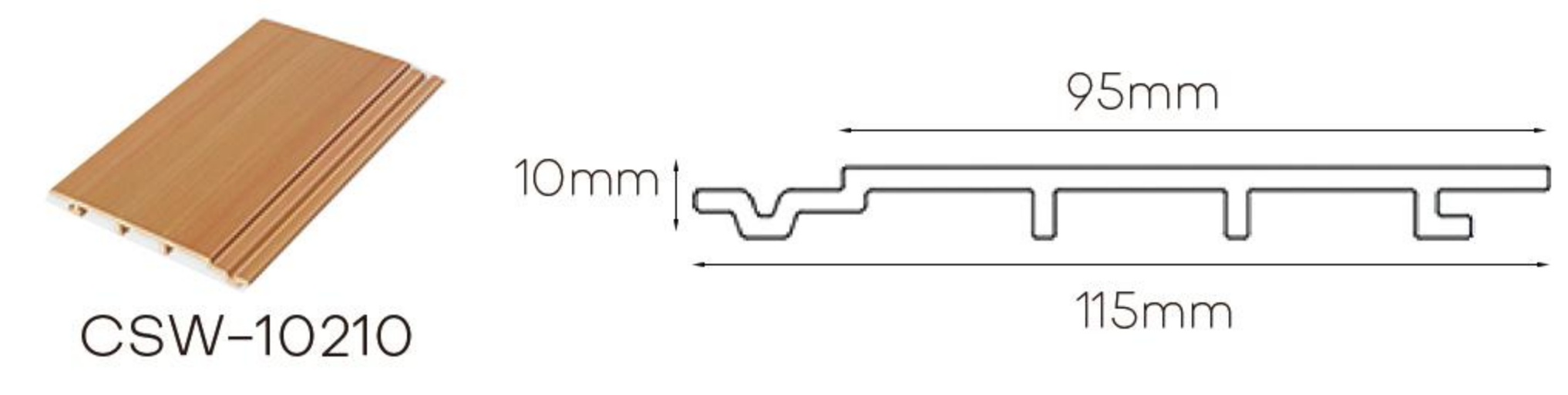
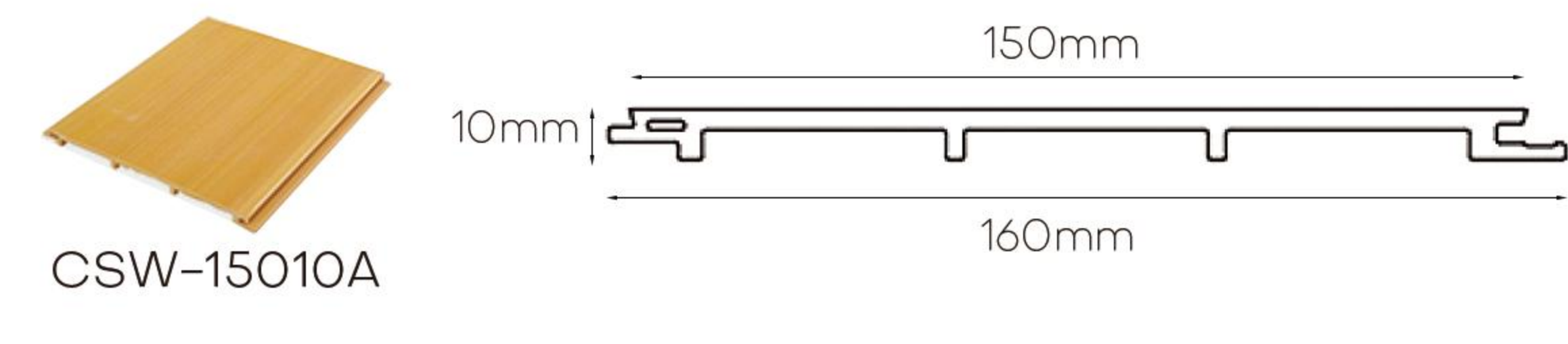
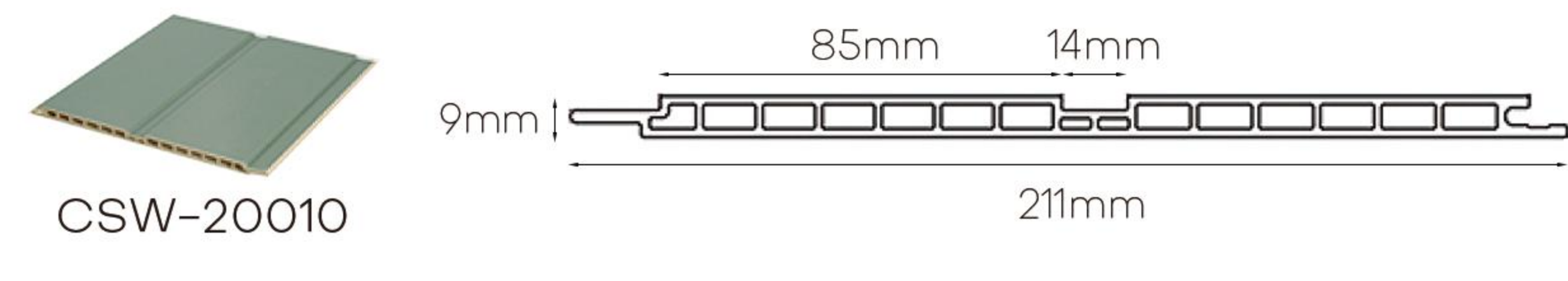
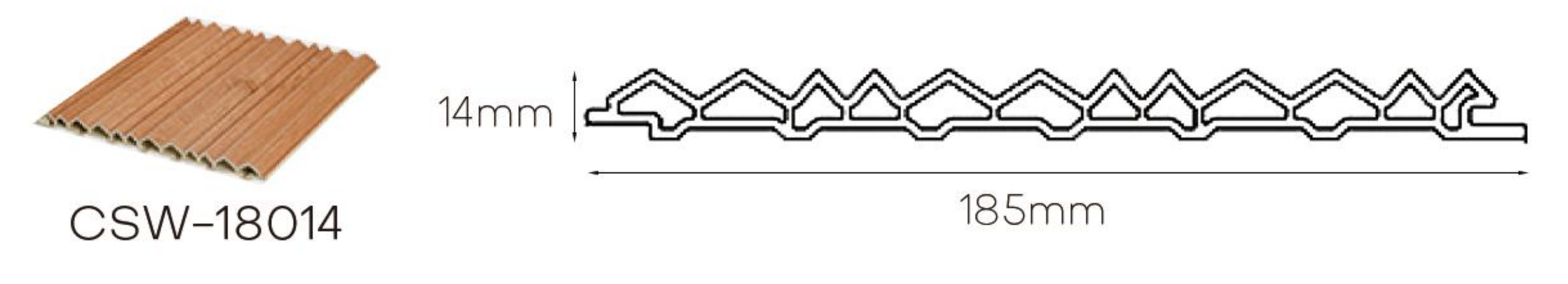
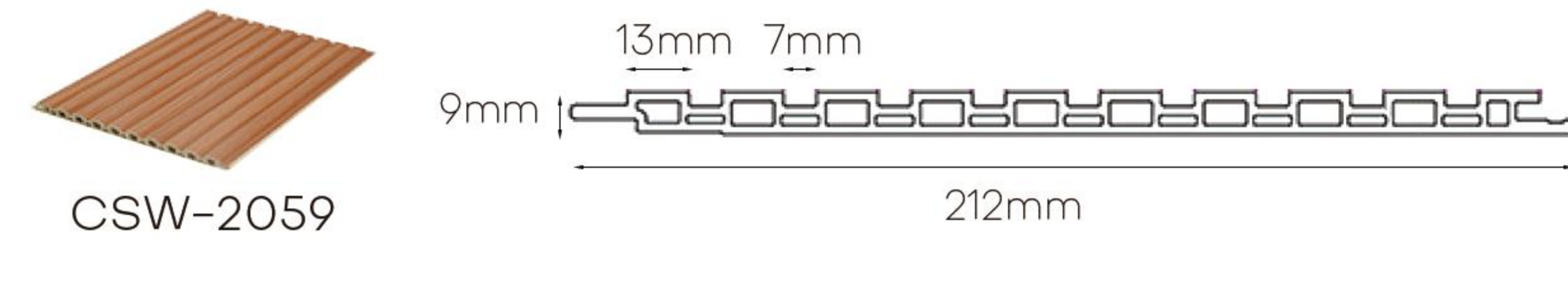
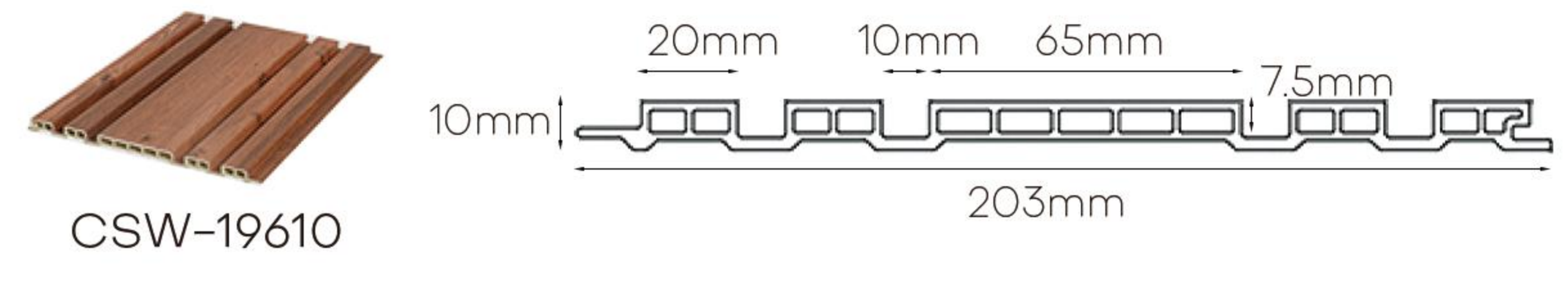
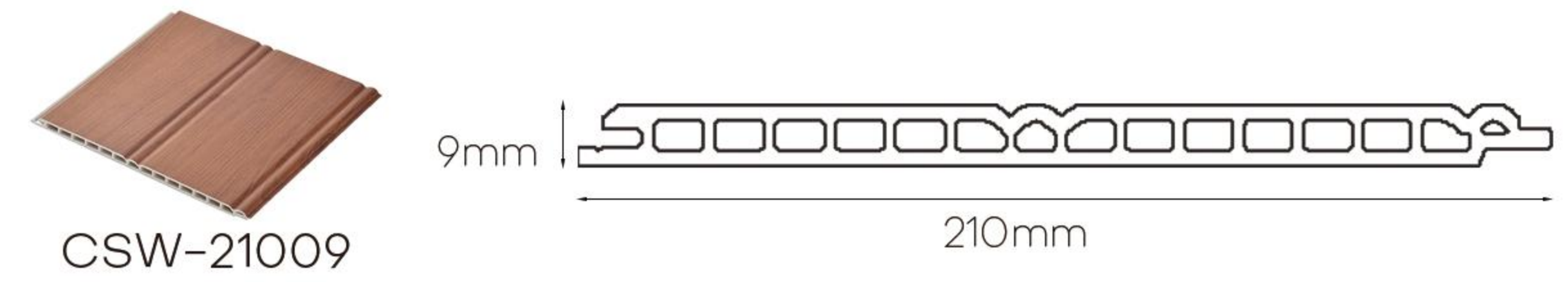
TYPE

Primarily utilized in interior wall décor, commercial spaces, and various other settings, the widespread adoption of WPC wall panels contributes positively to safeguarding the essential living environment on which we depend for our well-being.

The WPC Wall Panel is mainly a kind of wall decoration board made of wood-plastic material. Because the cross section is like the WPCWall Panel, it is called the WPC Wall Panel.



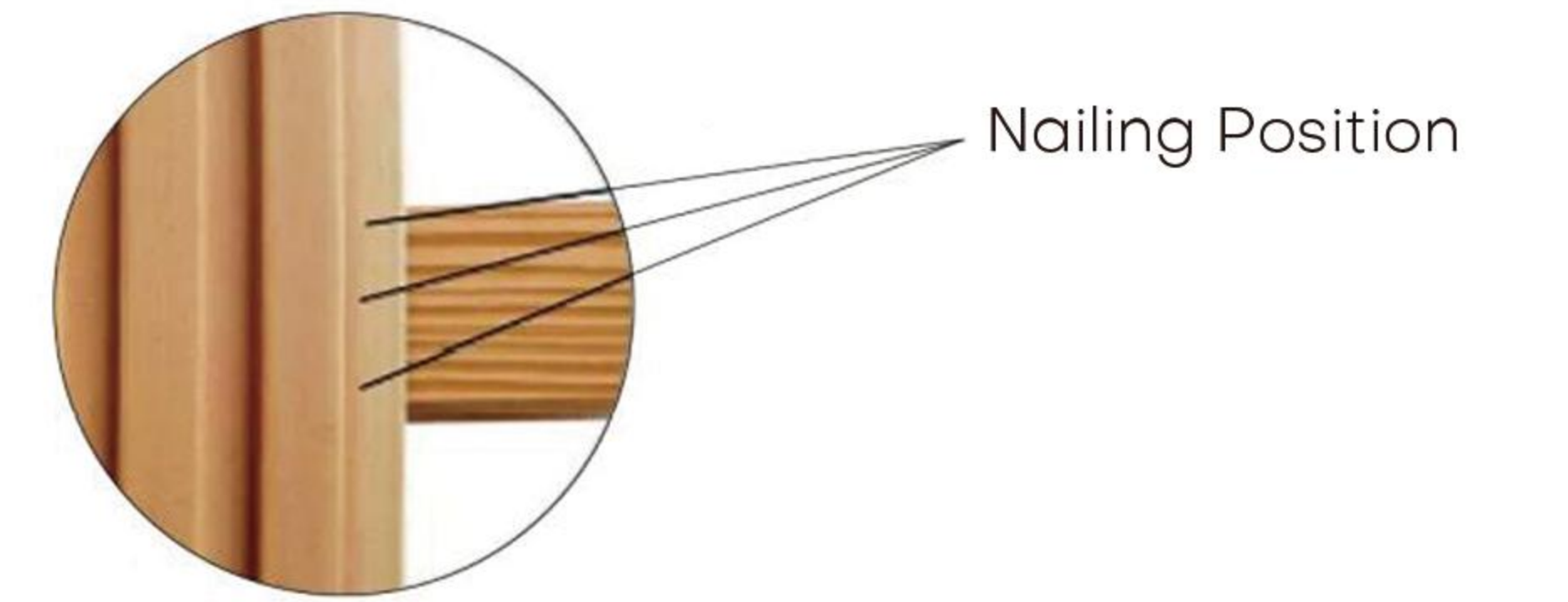




• **Methods 1**

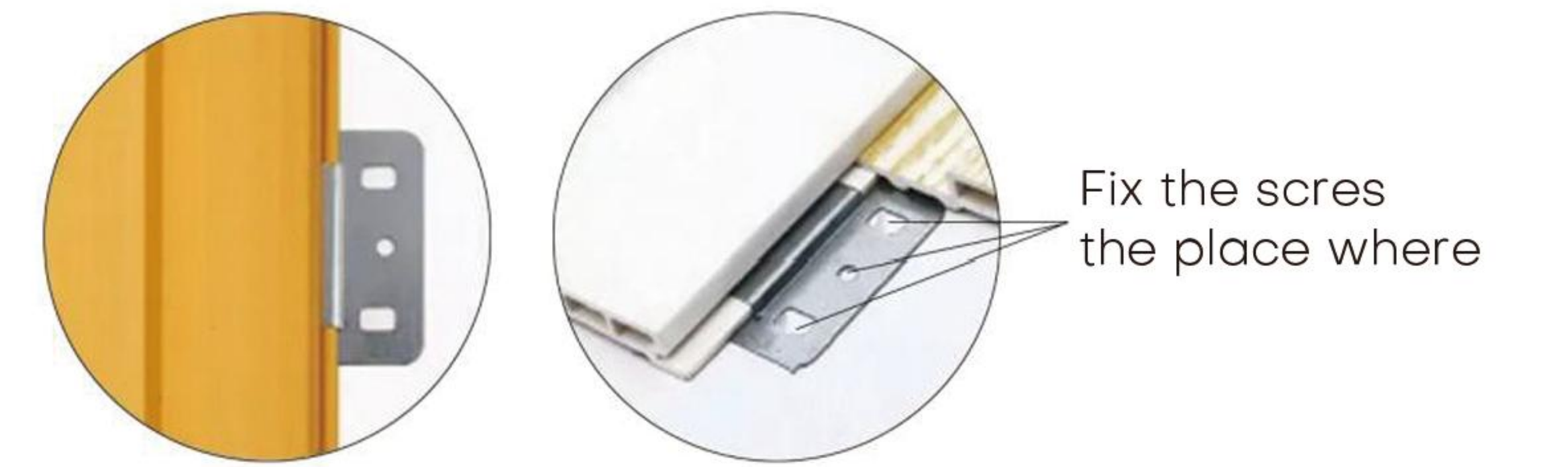


It is better to drive the nail diagonally into the hard surface. The nail gun can be covered with another board that plugs in. It doesn't affect the aesthetics.



• **Methods 2**

Insert the fastener into the bottom edge of the wall panel. Fixed to the blank wall. This method applies to the wall with smooth surface wall with a flat surface.



• **Methods 3**



Wood keel leveling the wall
Self-trapping screws for stainless steel fasteners
Fasten to the wooden keel
This method installs all plates
It can be disassembled and reused